



FH-S01

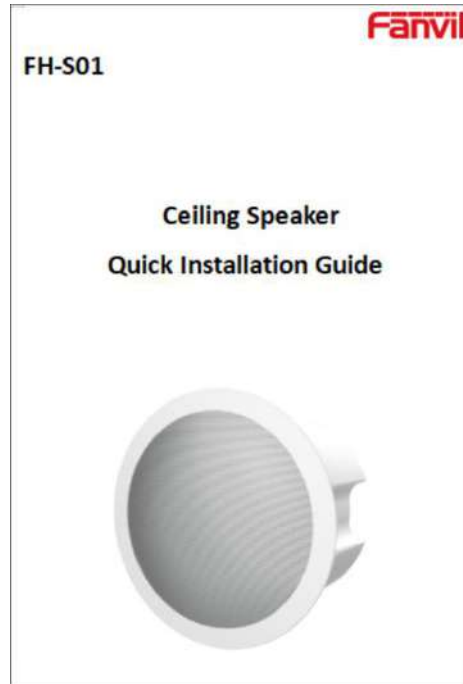
Ceiling Speaker
Quick Installation Guide



① Package Contents



Ceiling speaker

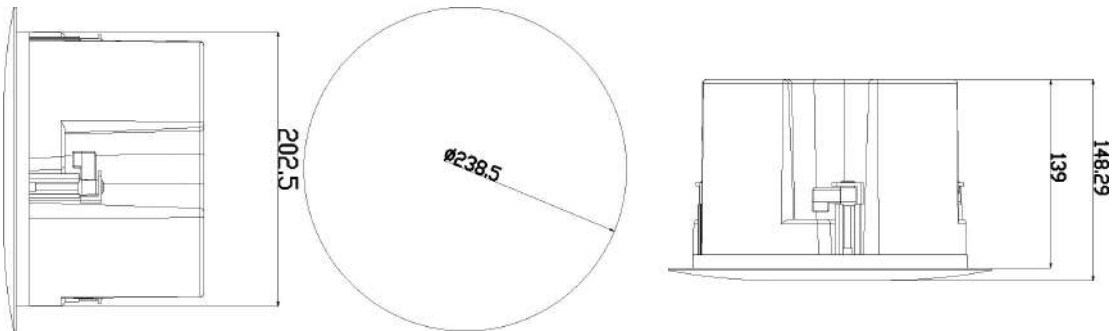


Quick Installation Guide

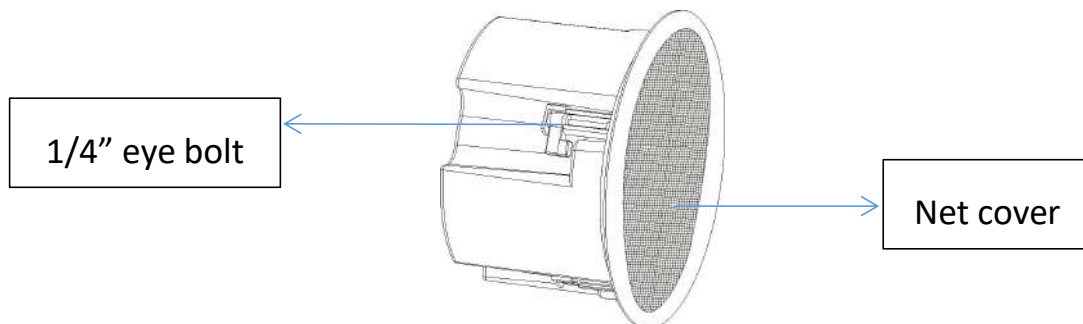
② Physical specification

1) Ceiling Speaker

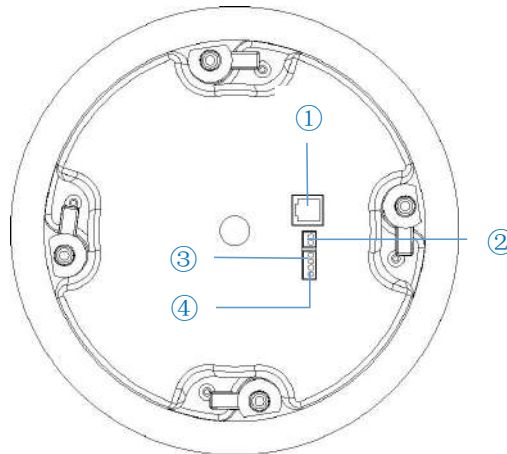
A、 Size specification



B、 Net cover and four eye bolts



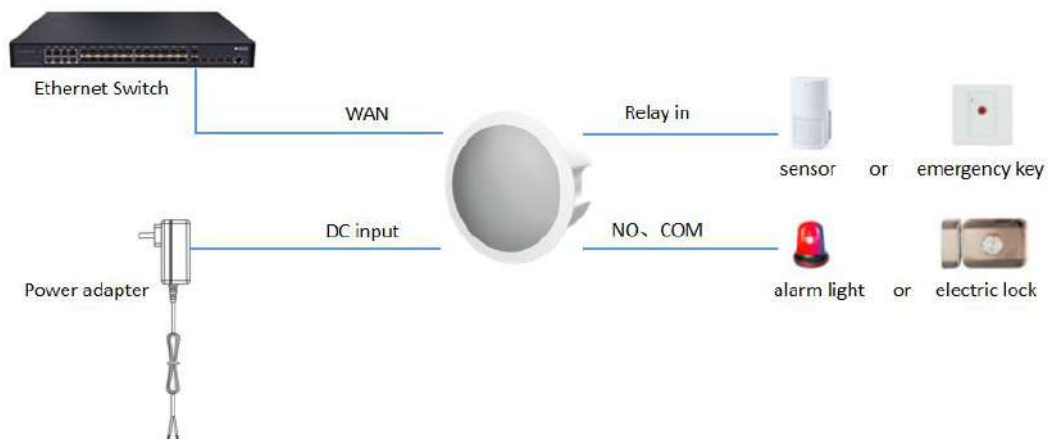
2)Interface description



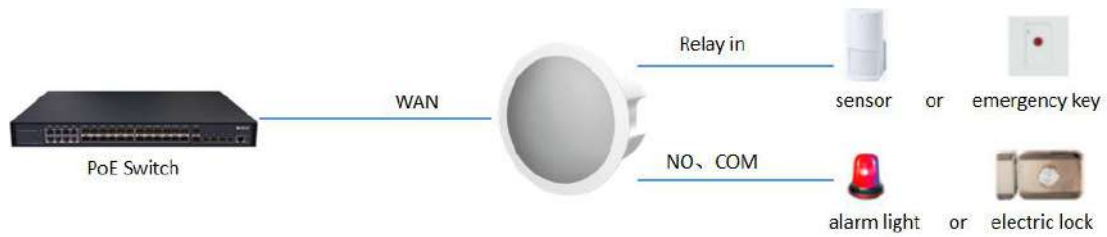
NO.	Description	Interface
1	Ethernet interface: standard RJ45 interface, 10/100M adaptive, support PoE powered, it is recommended to use CAT5 or CAT5E network cable.	
2	Power interface: 12V~24V/2A input	
3	1 set of short-circuit input interface: input devices for connecting switches, infrared sensor, door sensor, vibration sensors etc.	
4	1 set of short-circuit output interface: corresponding to the short-circuit input interface, login device web page settings, can be connected to electric locks, etc.	

3)External device connection diagram

Model 1: DC Power



Model 2: PoE



③ Installation Diagram

Ceiling-mounted Installation

Step1: Install Speaker

A、 According to the installation position, punch a round hole in the ceiling to hold the back box dimension of the ceiling speaker.

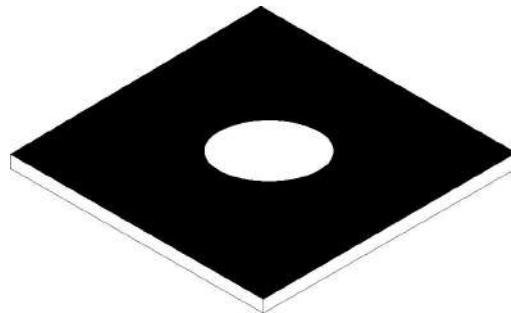
B、 Turn out the four bolts of the speaker, press down, and push out the net cover.

C、 Turn back bolts, insert the ceiling speaker through the round hole made before, then turn out the bolts.

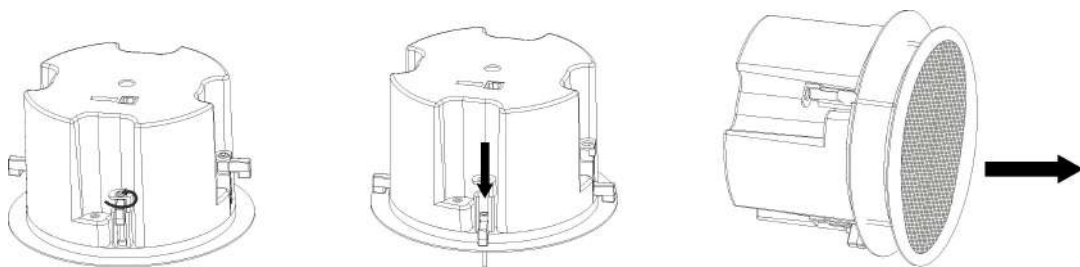
Press bolts down to close the speaker slot, and tighten the screw of the bolt.

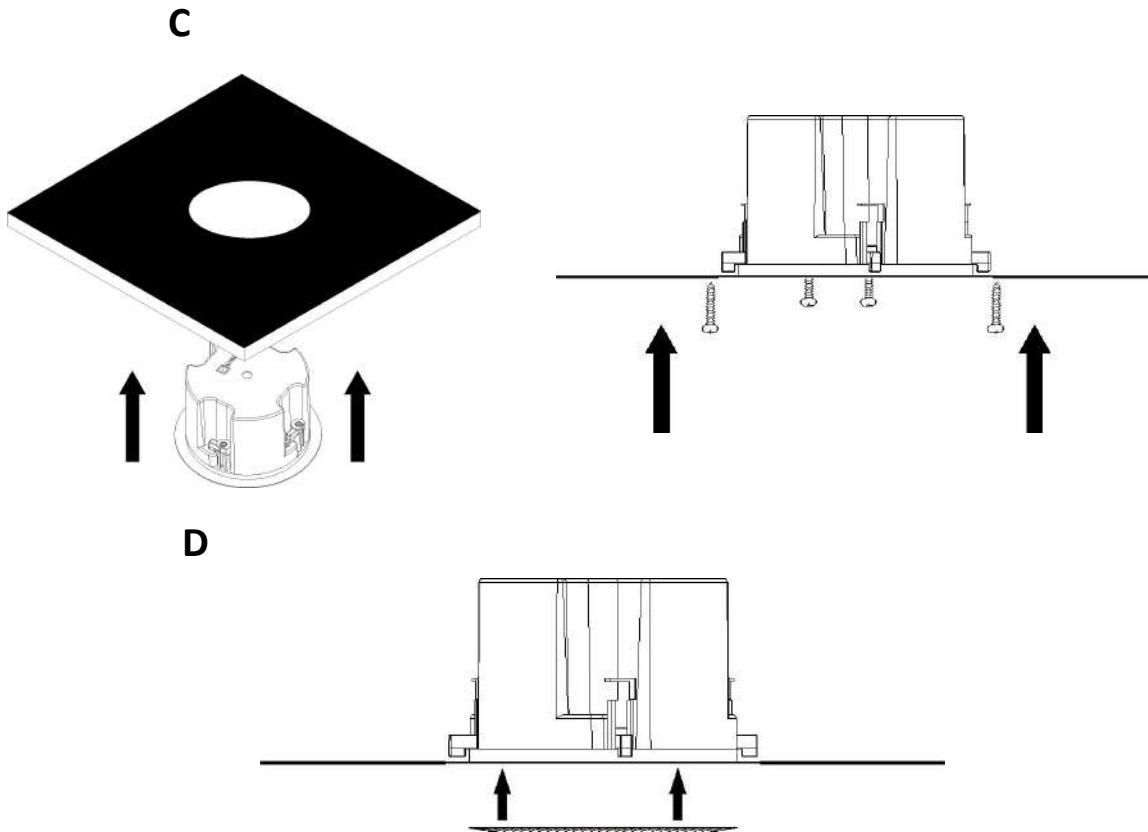
D、 Install the speaker net cover and the installation is complete.

A



B





Step 2. Connect peripherals

If you need to connect other input and output devices, please connect to the host through the cable.

Step 3. Power on the device, If it works normally, the installation is complete.

④ Searching IP address

The default WAN mode is DHCP, Querying the IP address with the IP Scanner:



⑤ IP Ceiling Speaker setting

Step 1: Log in the web setting page of ceiling speaker

Input IP address of indoor station (e.g. http:// 172.18.35.7) into the address bar of PC' s web browser.

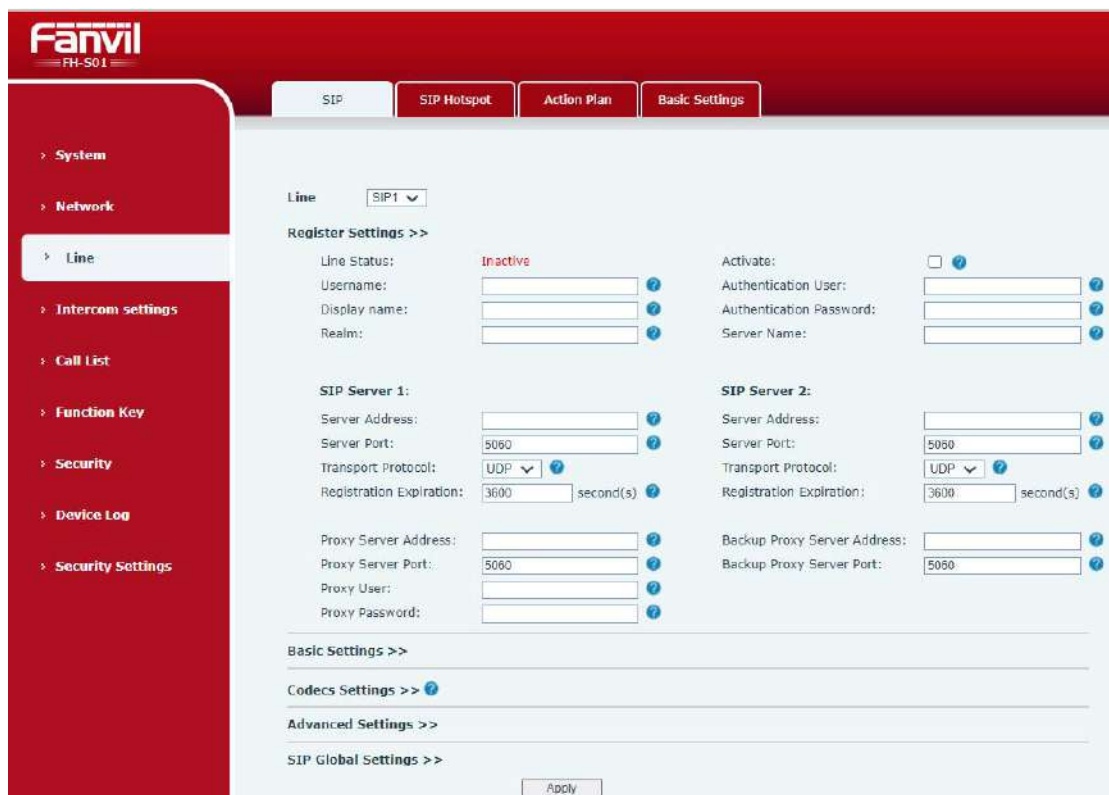
The default user name and password are both admin.



A login form with a light blue background and a red header. It contains three input fields: 'User:' with an empty text box, 'Password:' with an empty text box, and 'Language:' with a dropdown menu set to 'English' and a checkbox. Below these fields is a 'Logon' button.

Step 2: Add the SIP account

Set SIP server address, port, user name, password and SIP user with assigned SIP account parameters. Select “Activate” , and then click Apply to save this setting.



A screenshot of the Fanvil web interface. The top navigation bar is red with the Fanvil logo and 'FH-S01'. Below it are tabs for 'SIP', 'SIP Hotspot', 'Action Plan', and 'Basic Settings'. A left sidebar contains a menu with options like 'System', 'Network', 'Line', 'Intercom settings', 'Call List', 'Function Key', 'Security', 'Device Log', and 'Security Settings'. The main content area shows the 'SIP' configuration page for 'Line SIP1'. It includes sections for 'Register Settings >>', 'SIP Server 1:', 'SIP Server 2:', 'Proxy Server Address:', 'Basic Settings >>', 'Codecs Settings >>', 'Advanced Settings >>', and 'SIP Global Settings >>'. The 'Line Status' is 'Inactive' and the 'Activate' checkbox is unchecked. Various fields for server addresses, ports, and protocols are visible, with some containing default values like '5060' and 'UDP'. An 'Apply' button is at the bottom.

Step 3: Feature Setting

Fanvil
FH-S01

Features | **Media Settings** | Camera Settings | MCAST | Action | Time/Date | Time Plan

System
Network
Line
Intercom settings
Call List
Function Key
Security
Device Log
Security Settings

Basic Settings >>

Enable Call Waiting: ?
Enable Auto on Hook: ?
Enable Silent Mode: ?

Ban Outgoing: ?
Default Ans Mode: Video ?
Enable Restricted Incoming List: ?
Enable Restricted Outgoing List: ?
Country Code:

Allow IP Call: ?

Restrict Active URI Source IP: ?
Line Display Format: xxx@SIPr ?
Call Number Filter:

Limit Talking Duration: ?
No Answer Auto HangUp Timeout: 120 (1~3600)second(s) ?
Ring Timeout: 120 (1~3600)second(s) ?
Enable Tamper Alarm: Enable Tamper Alarm ?

Auto HangUp Delay: 3 (0~30)second(s) ?
Disable Mute for Ring: ?
Default Dial Mode: Video ?
Enable Country Code:
Area Code:
P2P IP Prefix:
Push XML Server: ?
Auto Resume Current: ?
Talking Duration: 120 (20~600)second(s)
Enable Push XML Auth: ?
Description: IP Paging Gateway

Tone Settings >>
Intercom Settings >>
Response Code Settings >>

Apply

Step 4: Security Settings

If you need to connect other input and output devices, please set the Input and Output setting in the Security Settings:

Fanvil
FH-S01

System
Network
Line
Intercom settings
Call List
Function Key
Security
Device Log
Security Settings

Basic Settings

Ringtone Duration: 5 (1~600)s
Input & Tamper Server Address: ?
Message: Alarm_Info.Description=\$model,SIP User=\$active_user,Mac=\$mac,IP=\$ip,port=\$trigge

Apply

Input Settings >>

Input:
Triggered By: Low Level Trigger(Close Trigger) Input Duration: 0 (0~3600)s
Triggered Action: Send SMS Dss Key: None Triggered Ringtone: None

Apply

Output Settings >>

Tamper Alarm Settings >>

Tamper Alarm Reset
Reset Alarm Status

- > System
- > Network
- > Line
- > Intercom settings
- > Call List
- > Function Key
- > Security
- > Device Log
- > Security Settings

Output Settings >>

Triggered By DTMF RingTone:		None	
Triggered By URI Ringtone:		None	
Triggered By SMS Ringtone:		None	
Triggered By Dsskey Ringtone:		None	
<input checked="" type="checkbox"/> Output1:			
Standard Status:	NC.closed	Output Duration:	5 (0~600)s
Output Trigger Mode:	<input checked="" type="checkbox"/> Trigger By DTMF	DTMF Trigger Code:	1234
	<input checked="" type="checkbox"/> Trigger By Active URI	DTMF Reset Code:	4321
	<input checked="" type="checkbox"/> Trigger By SMS	Reset By:	By Duration
Trigger By Input:		Trigger Message:	OUT1_SOS
	<input checked="" type="checkbox"/> Input1	Reset Message:	OUT1_CLR
		Trigger Message:	ALERT=OUT1_SOS
		Reset Message:	ALERT=OUT1_CLR
<input type="checkbox"/> Trigger By Call State			
Disabled State		Enabled State	
		Calling Ringing Talking(Calling) Talking(Sip) Talking(marcom) Talking(Mceet)	
Trigger By DssKey:			
	None		